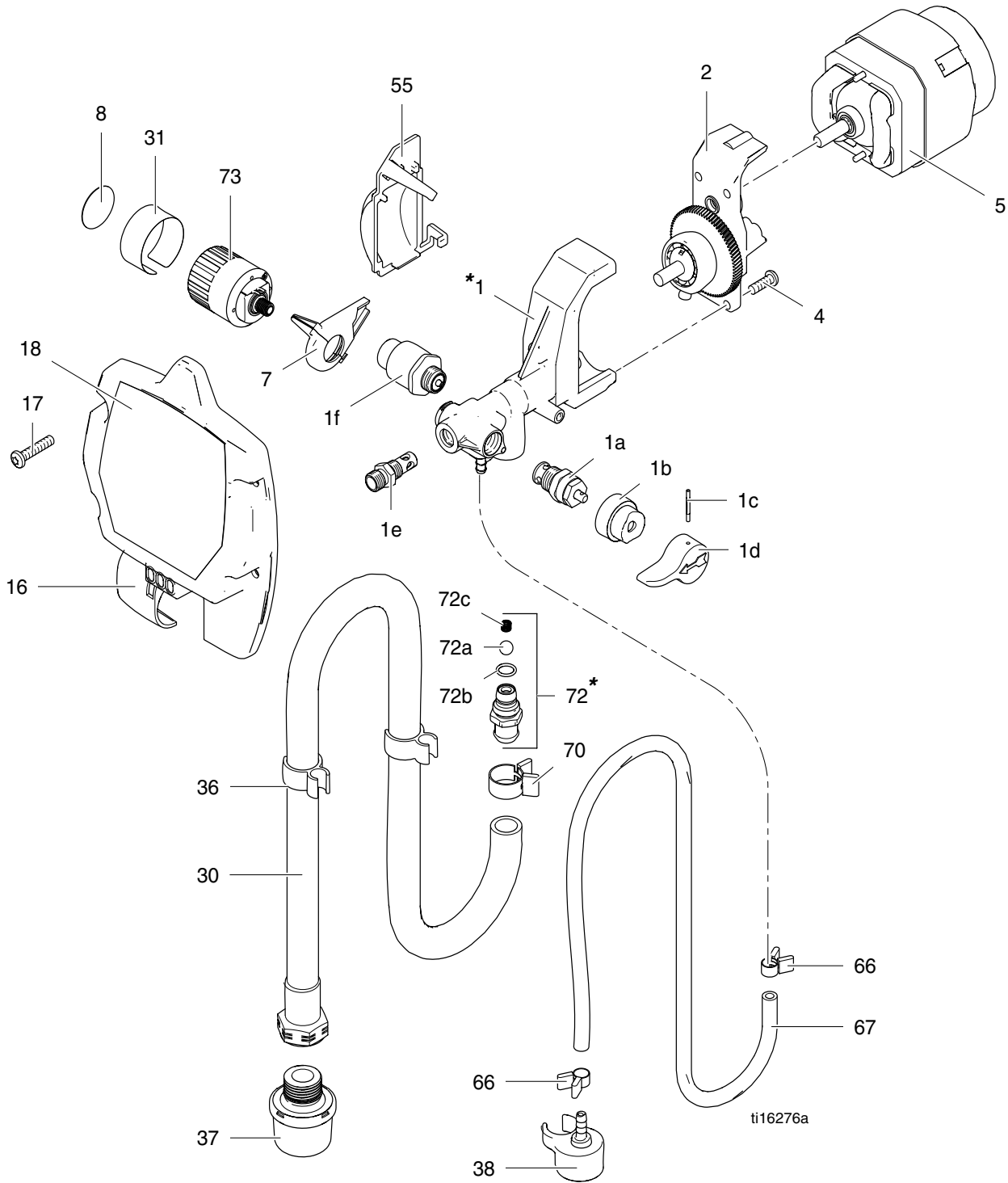


# Parts

## Pro Plus A30 Model 16E664



## Parts List

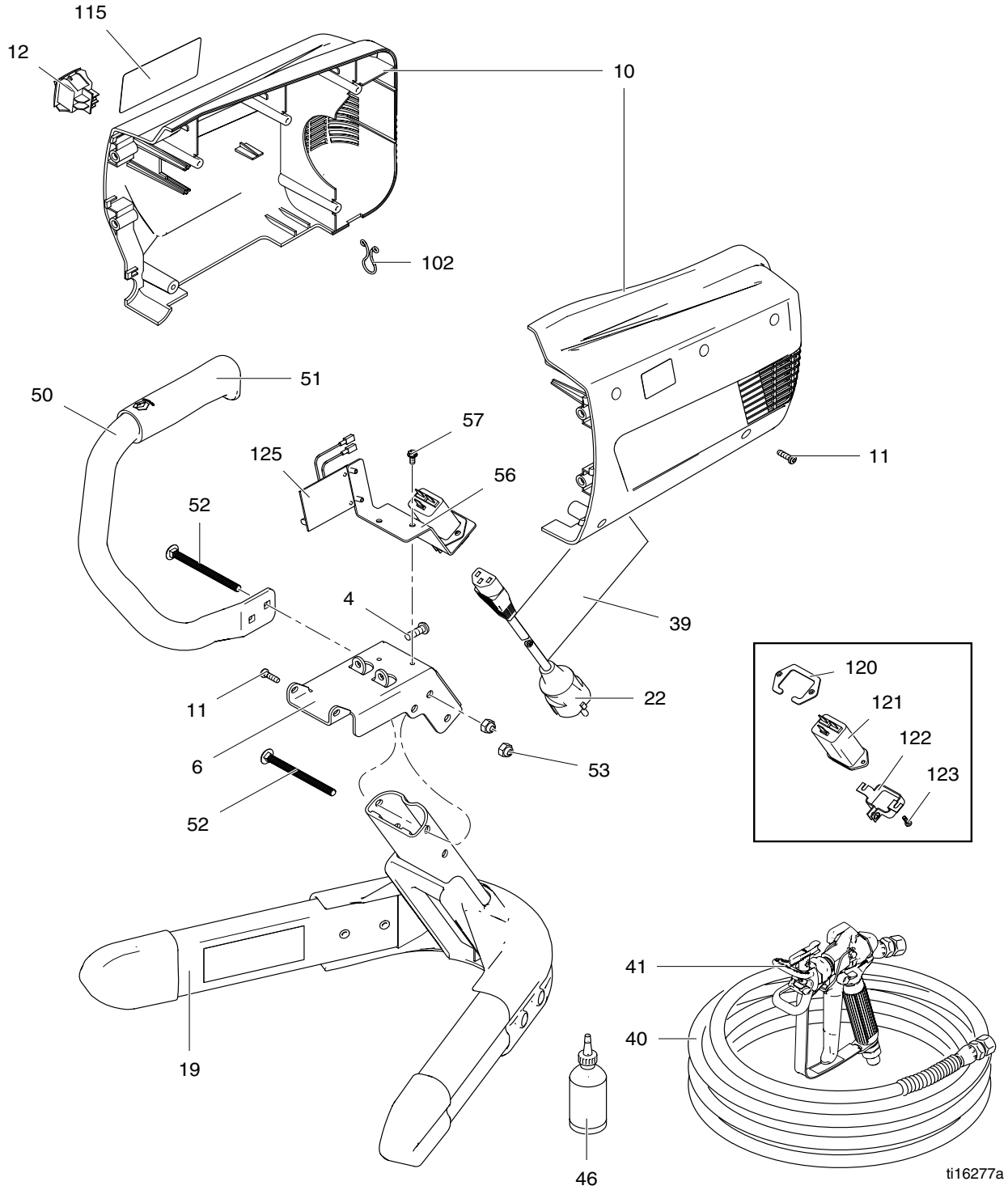
### Pro Plus A30 Model 16E664

Ref.	Part	Description	Qty.	Ref.	Part	Description	Qty.
*1	16G227	PUMP, assembly, magnum, 240V *(includes 72, 72a, 72b, 72c)	1	36	195400	CLIP, spring	1
1a	235014	DUMP VALVE	1	37	195697	STRAINER	1
1b	24E578	BASE, valve	1	38	244035	DEFLECTOR, barbed	1
1c	111600	PIN, grooved	1	55	24E510	COVER, gear	1
1d	187625	HANDLE, valve, drain	1	66	115489	CLAMP, drain tube	1
1e	16F292	VALVE, outlet	1	67	195084	TUBE, drain	1
1f	16F621	MODULE, ball knocker	1	70	116295	CLAMP, tube	1
2	16E778	HOUSING, drive, Johnson/9.6	1	*72	16F291	HOUSING, inlet (includes 72a, 72b, 72c)	1
4	112689	SCREW, button hd	4	72a	124249	BALL	1
5	16G228	MOTOR, Magnum, RPX, 230V	1	72b	103338	PACKING, o-ring	1
7	15Y296	COVER, wire	1	72c	123849	SPRING, compression	1
8	15A464	LABEL, control	1	73	246286	KIT, control, pressure	1
16	16F629	COVER, housing	1				
17	120724	SCREW	4				
18	16F802	LABEL, pro plus	1				
30	197607	TUBE, suction set	1				
31	16F635	LABEL, control, magnum	1				

▲ Replacement Danger and Warning labels, tags, and cards are available at no cost.

# Parts

## Pro Plus A30 Model 16E664



## Parts List

### Pro Plus A30 Model 16E664

Ref.	Part	Description	Qty.	Ref.	Part	Description	Qty.
4	112689	SCREW	4	52	122233	BOLT, carriage	3
6	16D684	FRAME	1	53	102040	NUT, lock, hex	3
9	115498	SCREW, mach, slot hex wash hd	1	56	16F567	BRACKET, control board/EMI filter	1
10	16G224	ENCLOSURE, sprayer (black)	1	57	115492	SCREW, mach, slot hex wash hd	4
11	115477	SCREW, mach, torx pan hd	6	91▲	243308	LABEL, set, int'l	1
12	118899	SWITCH, rocker, spdt	1	102	121423	RETAINER, wire	1
19	16E839	BASE, assembly, tw150	1	115▲	195793	LABEL, warning	1
22	16G226	CORD SET, 2M, Europe	1	120	15A467	BRACKET, filter	1
38	244035	DEFLECTOR, barbed	1	121	245648	FILTER, EMI	1
39▲	15T069	LABEL, Magnum warning ENG/FRE/SP	1	122	115632	CLAMP, power cord	1
40	245449	HOSE, cpld, 1/4 in. x 25 ft	1	123	117219	SCREW, M3, washerhead	2
41	246506	GUN, spray, SG3-E (unpackaged)	1	125	16G223	KIT, control board	1
46	244168	FLUID, pump armor, 8 oz	1				
47▲	179960	SIGN, warning	1				
50	256992	HANDLE, painted	1				
51	116139	GRIP, handle	1				

▲ Replacement Danger and Warning labels, tags, and cards are available at no cost.